

- ✓ Produces up to 69 lbs. (31 Kgs.)* of ICE per day
- ✓ Built-in application storage of up to 28 lbs. (12 Kgs.)
- ✓ Ultra-low profile - 34 inches tall
- ✓ Only 18 inches wide
- ✓ Available with an air-cooled condenser



ICEU 060

ICE-O-Matic® is the Best ICE Making Solution for: Hard Water, Food Safety and Tight Spaces

Problem

Cost

Offices are now providing Ice machines in employee breakrooms

Hard Water

Scaling due to hard water slows Ice production

Tight-Fitting Spaces

Inadequate air flow due to tight-fitting spaces reduces Ice production

Dirty Air Filter

Forget to change the air filter?

Solution

Cost Effective For a Small Office / Home Office

Price equal to pennies per pound of ICE

ICE-O-Matic® Water Filtration System

ICE-O-Matic®'s optional water filtration system provides protection against unpleasant tastes, odors and scale formation

Front Air Discharge

Air is drawn in and exhausted from the front
- no side clearance required

Filter-Free Air

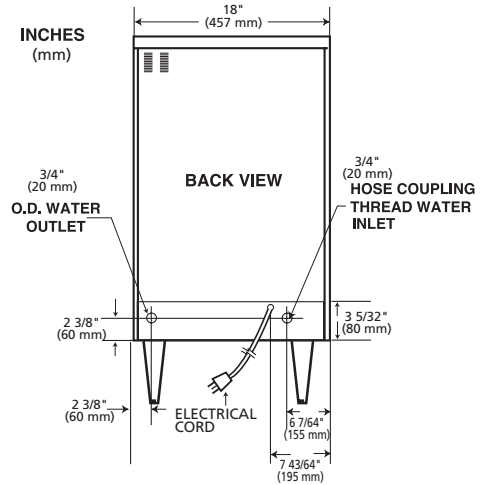
No air filter to change

ICEU 060 Series Cube ICE Maker

Dimensions and Air Flow

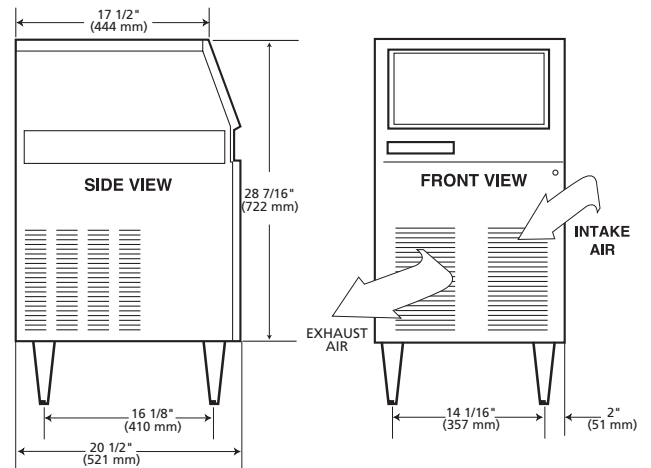


Installation Note: Allow 6" minimum space at back for utility connections



OPERATING LIMITS

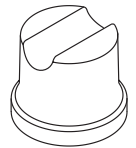
| | |
|--------------------------|---|
| Air Temp. Range | 50° - 100°F (10° - 37.7°C) |
| Water Temp. Range | 40° - 100°F (4.4° - 37.7°C) |
| Water Pressure | Min. 20 psi (1.4 bar) Max. 120 psi (8.4 bar) |
| Electrical Voltage Water | Min. -5% Max. +10% |



- 90°/70° figures are rated in accordance with ARI Standard 810. All remaining points are mathematical estimates.
- All specifications and performance data are subject to normal manufacturing variances.
- Application bin storage is 28 lbs. (12 Kgs.)
- ARI bin storage is 25 lbs. (11 Kgs.)

All units have stainless steel finish.
Refrigerant: R-134a

LEGS SUPPLIED:
Four plastic legs screw into mounting plates on cabinet base. Provides 6" minimum height.



Shot-glass style cube
1 inch wide x 1 1/8" high
x 1 1/4" diameter
(25 mm x 29 mm x 32 mm)

ORDERING AND SPECIFICATION INFORMATION

| Model No. | Cond. Unit | Ice Production per 24 hrs. at 70° Air/50° Water lbs. (Kgs.) | Ice Production per 24 hrs. at 90° Air/70° Water lbs. (Kgs.) | Bin Storage lbs. (Kgs.) | Comp. H.P. | Voltage Characteristics | No. of Wires | Min. Circuit Amp. | Max. Fuse Size | Shipping Weight lbs. (Kgs.) |
|-----------|------------|---|---|-------------------------|------------|-------------------------|--------------|-------------------|----------------|-----------------------------|
| ICEU 060 | Air | 69 (31) | 55 (25) | 28 (12) | 1/4 | 115/60/1 | 2 | CORD | 15 | 105 (48) |



We reserve the right to make changes in design and construction at any time without obligation.
2003©ICE-O-Matic Rev Code: 1000A-06/03-55

ICE o-Matic®

ICE-O-Matic 11100 E. 45th Avenue, Denver, CO 80239
Tel. 303 371-3737 Fax. 303 371-6296 www.iceomatic.com