

- ✓ Produces up to 273 lbs. (124 kgs.)* of ICE per day
- ✓ Stores 12 lbs. (5.5 kgs) of ICE
- ✓ Recovery Time = 11.4 lbs. (5.2 kgs.) of ICE per hour
- ✓ ICE-Only, ICE and Water, Water Only or continuous Pitcher Dispensing
- ✓ Only 15 ⁹/₃₂ inches (388 mm) wide / 34 ¹³/₃₂ inches (874 mm) tall



EFD 270

ICE-O-Matic is the Best ICE Making Solution for: Hard Water, Food Safety and Tight Spaces

Problem

Difficult Dispensing

Ice is sometimes slow and difficult to dispense

Tight-Fitting Spaces

Counter space utilization

Sloppy Ice Dispensing

Ice congeals in dispenser causing Ice jams and inconsistent dispensing

Noise

Noise from Ice machine operation in the customer area

Solution

Simple Operation

- Touch-Free Dispense - infrared actuation provides easy sanitary operation
- Dispensing chute easily removes for cleaning
- Smudge Proof Finish - prevents fingerprints and smudges

Maximum ICE

Maximum ICE Production in a minimum amount of space with an ultra-low profile - 15 ⁹/₃₂ inches wide / 34 ¹³/₃₂ inches tall

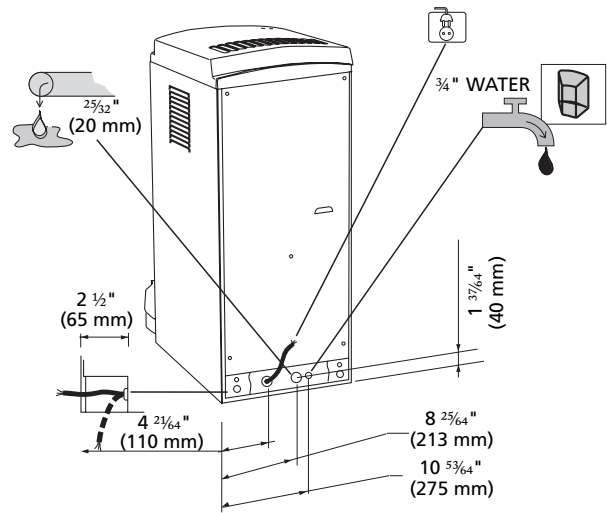
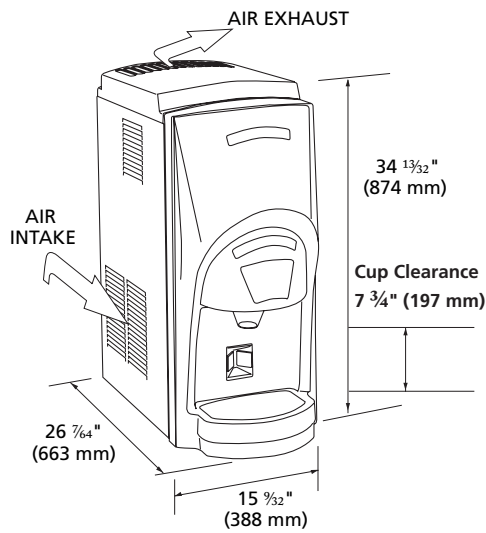
Greater Dispensibility

Makes and dispenses hard, slow-melting cubelet ICE for reliable and easy dispensing

Quiet Operation

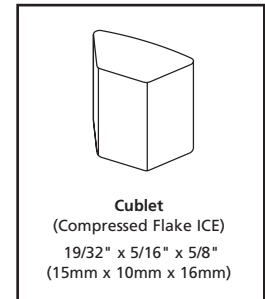
It's extremely quiet operation makes the EFD 270 the ideal dispenser for healthcare, cafeteria, restaurant and office applications

EFD 270 Series cublet ICE / Water Dispenser



OPERATING LIMITS

Ambient Temp. Range Air	50° to 100°F (10° - 38°C)
Water Temp. Range	40° to 100°F (4.5° - 38°C)
Water Pressures	Min. 20 psi Max. 80 psi
Electrical Voltage	Min. -5% Max. +10%



ORDERING AND SPECIFICATION INFORMATION

Model No.	Cond. Unit	ICE Production per 24 hrs. at 70° Air/50° Water lbs. (Kgs.)	ICE Production per 24 hrs. at 90° Air/70° Water lbs. (Kgs.)	Bin Capacity (lbs. (kgs.))	Water Used-Gals. (Lits.) per 100 lbs. of ICE 90° Air/70° Water		Kilowatts Used per 100 lbs. of ICE 90° Air 70° Water	Voltage Characteristics	No. of Wires	Total Load Amp.	Max. Fuse Size	Shipping Weight lbs. (Kgs.)
					ICE Prod. Use	Cond. Use						
EFD 270	Air	273 (124)	198 (90)	12 (5)	24 (91)	n/a	13	115/60/1	2	6.0	15	161 (73)

ICE Vending Capacity Peak Vends per hour*

NUMBER OF VENDS (SERVINGS) PER HOUR FROM FULL BIN + RECOVERY = TOTAL VENDS

Model No.	Bin Storage lb./kg.	1 Hour Recovery Cap. lb./kg.	2 fl. oz. Bin			4 fl. oz. Bin			6 fl. oz. Bin			8 fl. oz. Bin										
			2 fl. oz. Bin	2 fl. oz. Recovery	Total 2 fl. oz. Vends	4 fl. oz. Bin	4 fl. oz. Recovery	Total 4 fl. oz. Vends	6 fl. oz. Bin	6 fl. oz. Recovery	Total 6 fl. oz. Vends	8 fl. oz. Bin	8 fl. oz. Recovery	Total 8 fl. oz. Vends								
EFD 270	12 (5.5)	11.4 (5.2)	192	+	182	=	374	96	+	91	=	187	64	+	61	=	125	48	+	46	=	94

1 lb. apx. = 32 fl. oz.
*Based on 70° Air / 50° Water

NOTE: It is possible to change the "ICE-Only" default setting to a different default setting by pushing the corresponding button for 5 seconds (all EFD 270 dispensers are factory set to the ICE dispensing mode).

ICE-O-Matic's machines are not designed for outdoor installations.

Machine requires voltage indicated on rating name plate. Failures caused by improper voltage are not considered factory defects. Extended periods of operation at temperature exceeding limitations constitutes misuse under the terms of ICE-O-Matic Manufacturer's Limited Warranty, resulting in a loss of warranty coverage.

