

THE MINI WEDGE

HAND OPERATED FLOUR TORTILLA PRESS



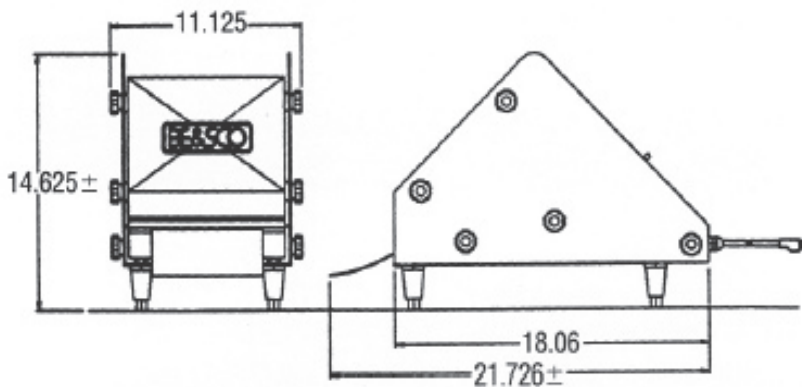
**READY TO COOK
FLOUR TORTILLAS
IN LESS THAN
TWO SQUARE FEET
OF COUNTER SPACE!**

**NO SPECIAL
WIRING REQUIRED**

SAFE, COMPACT

EASY TO CLEAN

SIMPLE TO OPERATE



SPECIFICATIONS

Model # 23

Voltage.....120 V
Optional 220V Not UL Approved
Amperage.....20
Tortillas per hour.....Up to 500*
From 4" to 7" Diameter
Total Power Usage.....1800 W
Shipping Weight.....APPROX. 45lbs.

** Tortilla production will vary depending upon diameter and thickness of tortillas and the experience of the equipment operator.**

MANUFACTURED UNDER ONE OR MORE
OF THE FOLLOWING U.S. PATENTS:

4,724,755	4,838,153	4,508,025
4,789,252	5,095,813	4,569,851
4,751,876	4,899,869	



1-800-683-0928

1623 N. San Marcos • San Antonio, TX 78201 • (210) 734-5124 • FAX (210) 737-3925