

THE WEDGE PRESS

FLOUR TORTILLA MACHINE



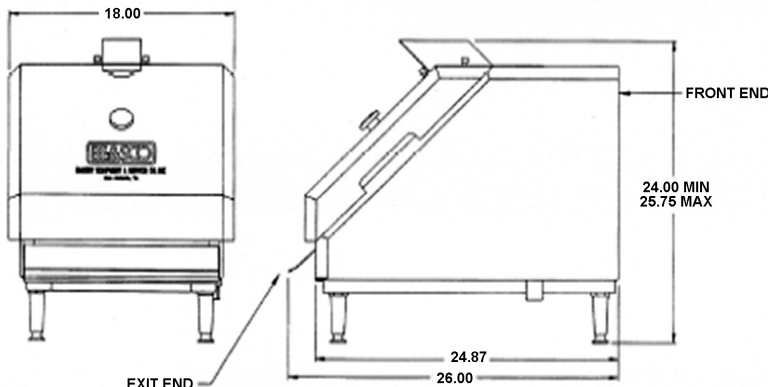
**READY TO COOK
FLOUR TORTILLAS
ON THE
ULTIMATE STATE OF
THE ART COUNTER
TOP PRESS**

SAFE, COMPACT

EASY TO CLEAN

LOW MAINTENANCE

- **2 MOVING PARTS**
*Optional Stand Available
on Model 12S*



Patented: 4224755, 4269252, 4838153

SPECIFICATIONS Model 12:

Voltage.....220/240 AC
Cycles.....60HZ
Phase.....Single
Amperage.....23.4
900 Tortillas per hour*

From 5" to 13" Diameter

Total Power Usage: 5.6 KW

Total Heating Element Wattage:5200

Press Motor Size:1/8 HP

Press Motor Voltage: 90VDC Variable

Press Motor Amperage: 1.0

Shipping Weight: 200lbs.



** Tortilla production will vary depending upon diameter and thickness of tortillas and the experience of the equipment operator.**

1-800-683-0928

1623 N. San Marcos • San Antonio, TX 78201 • (210) 734-5124 • FAX (210) 737-3925