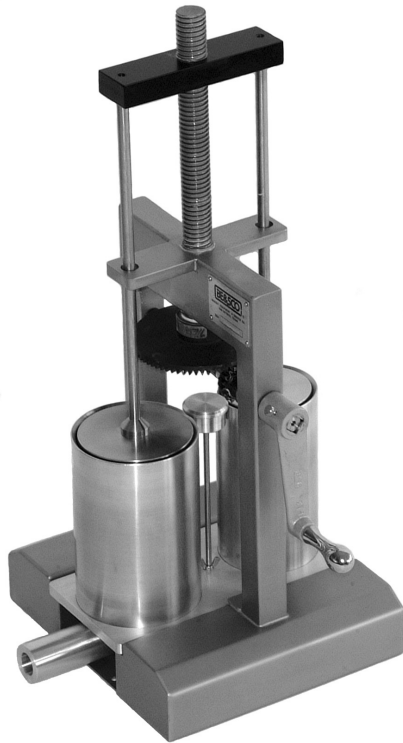


Hand Operated
TAMALE MACHINE
Perfect Tamales Every Time!



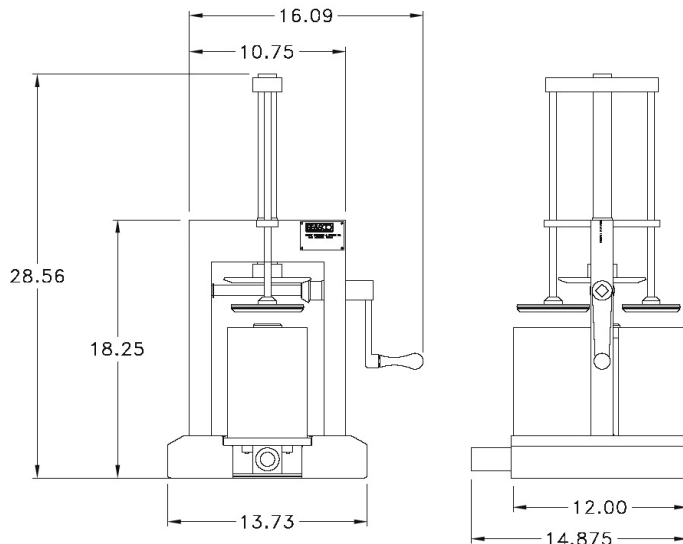
Easy to Operate!

Four to One gear ratio!

Heavy duty construction.

Dissassembles in seconds
for easy cleaning!

Versatile! Makes hor d'oeuvres,
sausages, canapes, candies and
other specialities too!



S P E C I F I C A T I O N S

Model # 40

8 Dozen Per Load Capacity
(*approximately 30 dozen per hour)

28.56" H, 13.73" W, 14.875" L

70 lbs. (approximately)

F.O.B. San Antonio

* Tamale production will vary depending upon length and
diameter of tamale and the skill of the equipment operator.

ALSO AVAILABLE IN
NSF MODEL
NSF Model Not Shown



1-800-683-0928

1623 N. San Marcos • San Antonio, TX 78201 • (210) 734-5124 • FAX (210) 737-3925