

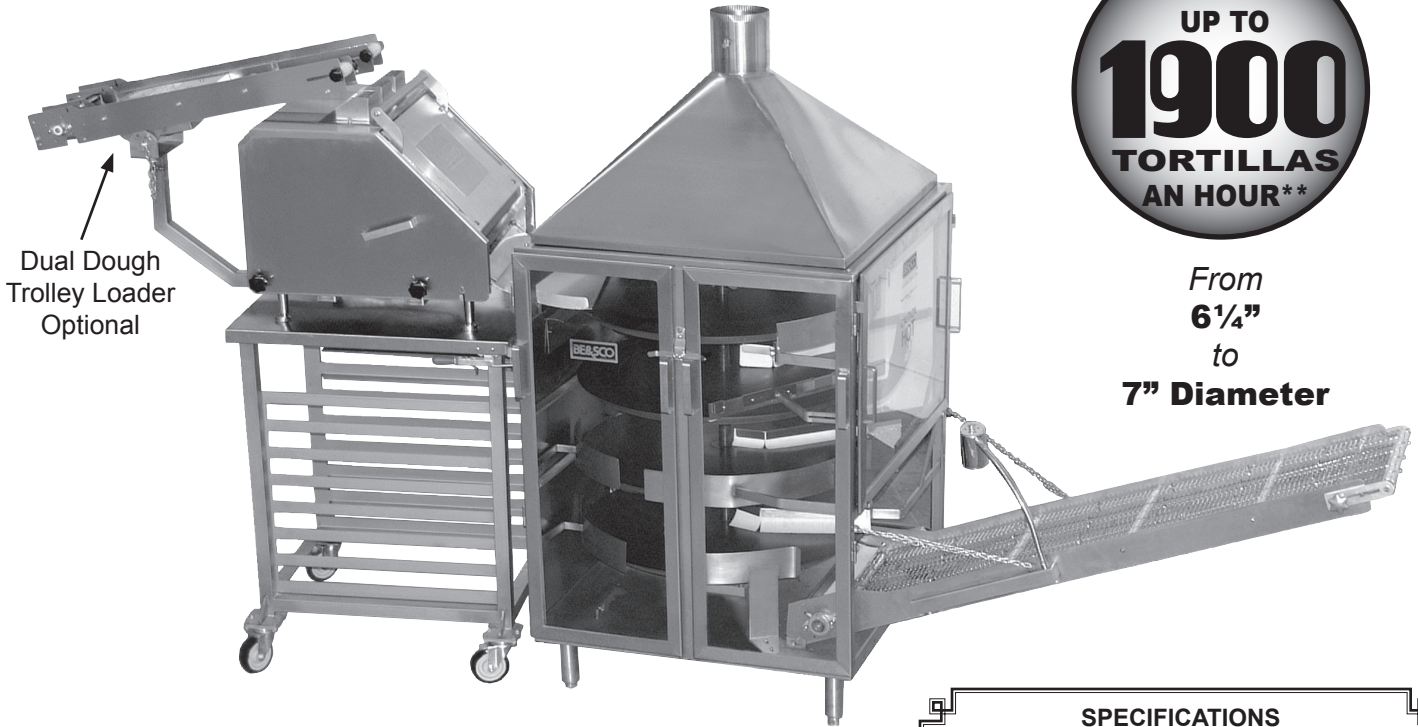
GRANDEMAX

HIGH PRODUCTION FLOUR TORTILLA MACHINE

High Production • One Person Operation • Efficient
 Simple to Operate • Money Saving • Time Saving • Durable
 Consistent, Delicious Tortillas Everytime

PRODUCES
 UP TO
1900
 TORTILLAS
 AN HOUR**

From
6¼"
 to
7" Diameter



Dual Dough
 Trolley Loader
 Optional

Features:

- Double drop, double the tortillas!
- Up to 158 Dozen 6¼" to 7" Flour Tortillas per hour**
- Automatic Dual Dough Trolley Loader
- Can make a 10¾" Burrito Size
- 8 Bun Pan Racks
- Stainless Steel



SPECIFICATIONS	
Large Wedge Press Model #12L	
Voltage	220/240 AC
Cycles	60HZ
Phase	Single
Amperage	37.5
Shipping Weight 12L	215 lbs.

SPECIFICATIONS	
Betamax Oven Model #20X	
Voltage	120V
Cycles	60HZ
Phase	Single
Amperage	14.5
Shipping Weight 20X	830 lbs.

** Tortilla production will vary depending upon diameter and thickness of tortillas and the experience of the equipment operator.**



1623 N. San Marcos • San Antonio, TX 78201
 1-800-683-0928 • (210) 734-5124 • Fax (210) 737-3925 • www.bescomfg.com

