

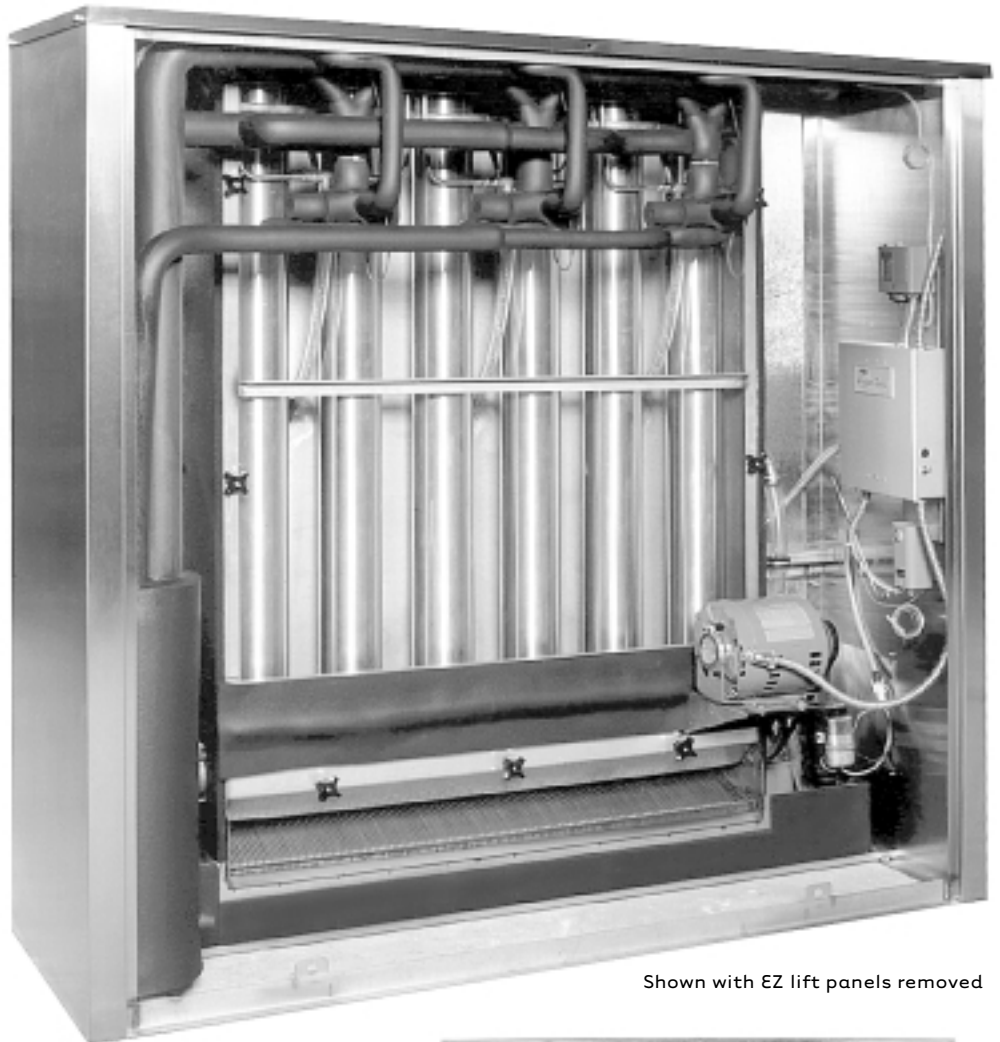


MODELS **1000AR**
1000SM

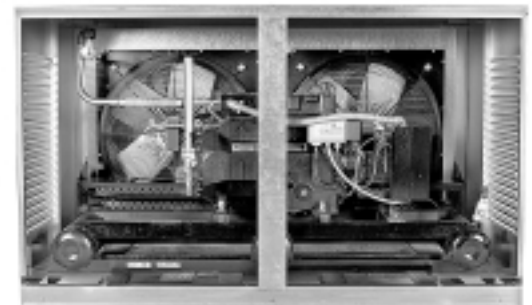
Arctic-Temp is the developer and leading producer of VERTICAL TUBE INDUSTRIAL ICE MACHINES. We provide a straight-forward, uncomplicated design that provides maximum ice production while using less electricity than other ice machines in this capacity range.

6,500 lbs.
of hard
cracked ice
in 24 hrs.
(2,948 Kg.)

- » **Highly efficient Copeland Discus Compressor.**
- » **Double-Walled Vertical Tube Evaporators for maximum production.**
- » **Hot Gas Defrost for rapid harvest and quick recovery.**
- » **All Stainless Steel Welded Construction.**
- » **No moving parts in the freezing zone.**
- » **Harvest Hold (PHC) for definite defrost in varying temperature.**
- » **R-22 Refrigerant.**
- » **Factory Assembled, Fully Charged & Tested.**
- » **USDA Approved.**
- » **PLEASE REFER TO OUR GENERAL CATALOG FOR ADDITIONAL INFORMATION AND SPECIFICATIONS ON ARCTIC-TEMP ICE MAKERS.**



Shown with EZ lift panels removed



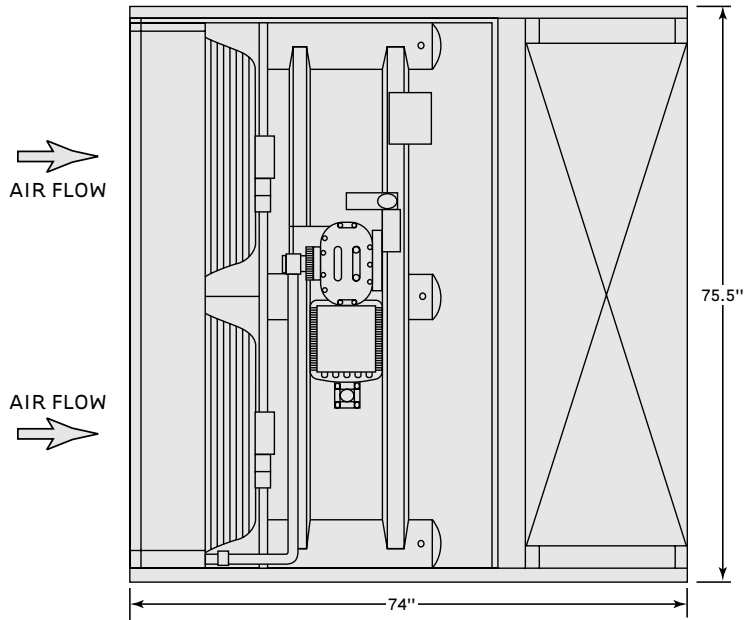
Condensing unit

QUALITY INDUSTRIAL ICE MACHINES SINCE 1959

Manufactured by HOLIDAY ICE, Inc. • 204 Short Avenue • Longwood, FL 32750-5130
Phone (407) 831-2077 • FAX (407) 834-3359 • www.arctic-temp.com
Arctic-Temp is a Registered Trademark of Holiday Ice, Inc. © Copyright 2002 by Holiday Ice, Inc. All Rights Reserved.

DIMENSIONAL DATA
TOP VIEW

ICE MACHINE
1000SM SKID MOUNT



SPECIFICATIONS
ARCTIC-TEMP® MODEL 1000AR

ICE PRODUCTION (LBS.) in 24 Hours	6,500		
COMPRESSOR HORSEPOWER	10		
ELECTRICAL V/HZ/PH	208/230-3-60 200/220-3-50		
METHOD OF CONDENSING	AIR REMOTE		
DIMENSIONS JACKETED	HEIGHT	57"	
	WIDTH	60"	
	DEPTH	19"	
CONDENSING UNIT DIMENSIONS	LENGTH	72"	
	WIDTH	45"	
	HEIGHT	44"	
REFRIGERANT CHARGE	40 LBS.		
APPROX. MACHINE WEIGHT (LBS.)	UNCRATED	EVAP	475
		COND	946
	CRATED	EVAP	550
		COND	996
WATER CONSUMPTION (GAL./24 HRS.)	783		

ARCTIC-TEMP® MODEL 1000SM

In certain applications where roof mounting or custom bunker mounting is desired, it may be economical to Skid Mount the highside and lowside components on a common base in order to obtain a PACKAGED ICE MACHINE.

ALL PACKAGED ICE MACHINES are fully assembled and thoroughly tested prior to shipping.

Holiday Ice can perform your custom work to make the installation easier, future service more convenient, and reduce the installation costs.

ADDITIONAL SPECIFICATIONS
FOR SKID MOUNTING:

BASE DIMENSIONS	LENGTH WIDTH HEIGHT	75" 74" 60"
APPROX. WEIGHT (LBS.)	1,680	

